

Read this instruction carefully. See hardware and furniture part list for guidance. Be sure all parts are complete, before you assemble. Place all wooden furniture parts on a clean and flat soft surface to prevent from being scratched. Follow the figure to start assembling.

- CAUTIONS :**
1. Do not FULLY - TIGHTEN the nut or nut bolt until all nut or bolt is ready assembled.
  2. Do not OVER - TIGHTEN the nut or bolt to avoid causing damages to the thread.
  3. Keep all hardware parts out of reach of children.

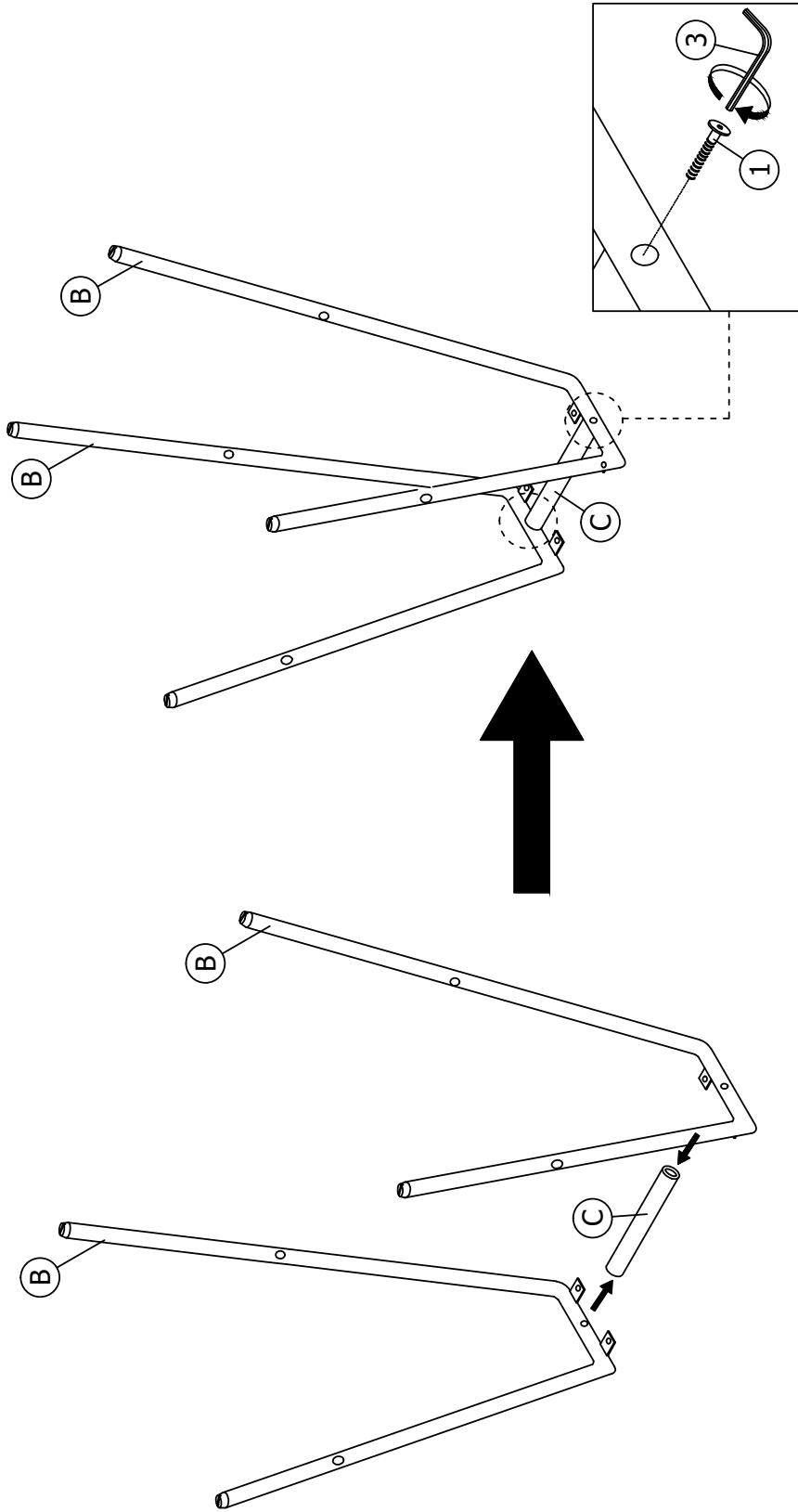
NOTE : THE LIST AND QUANTITY SHOWN ARE FOR 1 UNIT ASSEMBLY.  
 Tool needed : Screwdriver (not provided).

PART LIST		HARDWARE LIST	
ITEM	DESCRIPTION	QTY	DESCRIPTION
A	CHAIR	1PC	JCBC BOLT M6 x 30mm (BLACK)
B	LEG	2 PCS	M6 SPRING WASHER (BLACK)
C	LEG SUPPORT	1 PC	M4 ALLEN KEY (BALL SHAPE)
D	SIDE RAIL	1 PC	

\*EXTRA 1PC HARDWARE M6 ADJUSTER FOR SPARE USE.

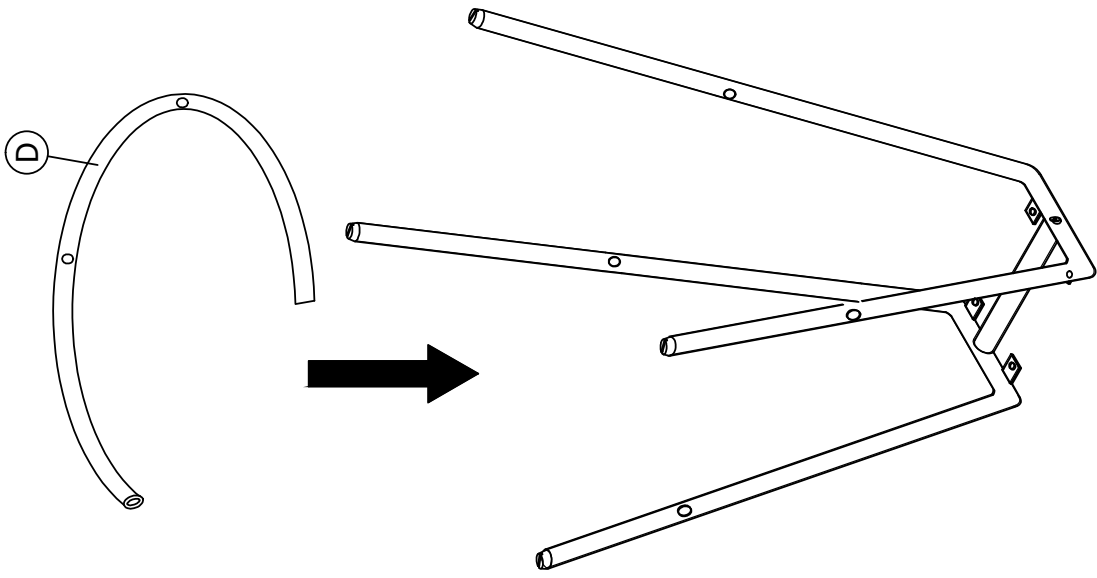


STEP 1

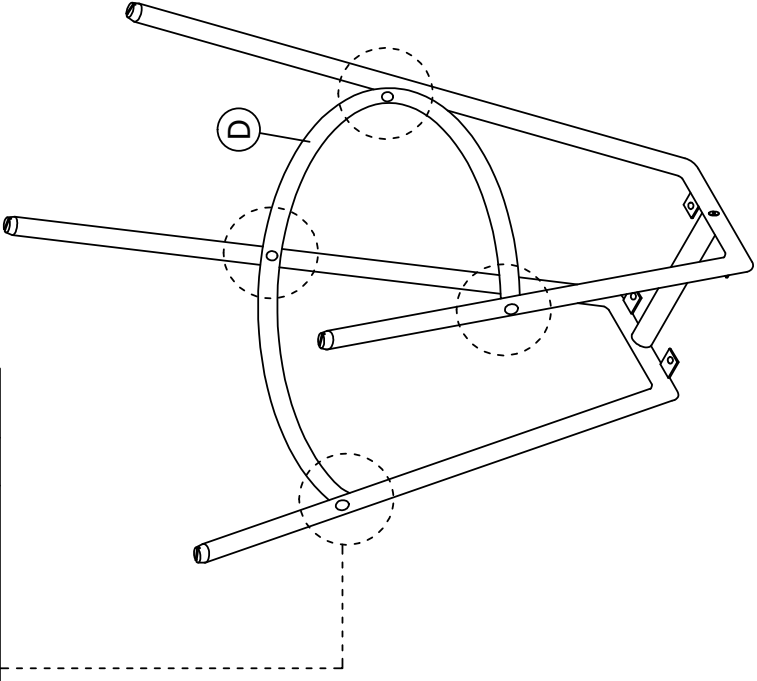
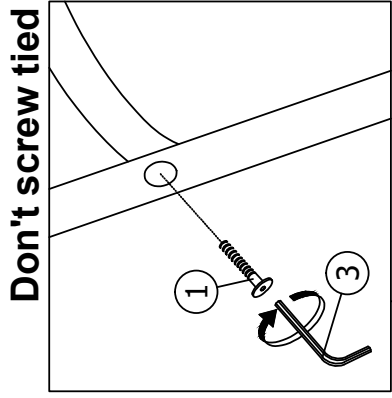


# ASSEMBLY INSTRUCTIONS

STEP 2

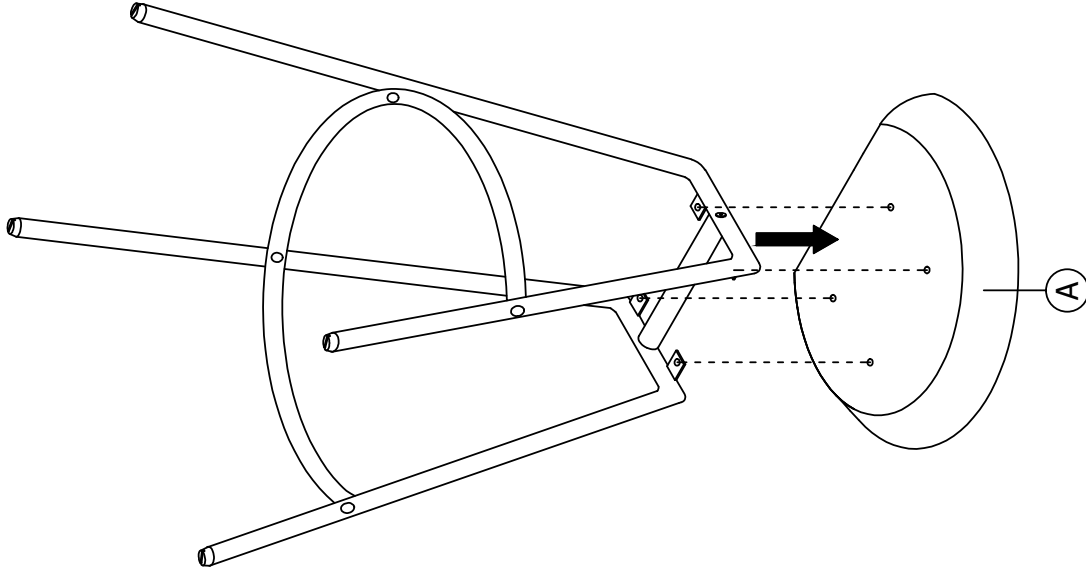


STEP 3

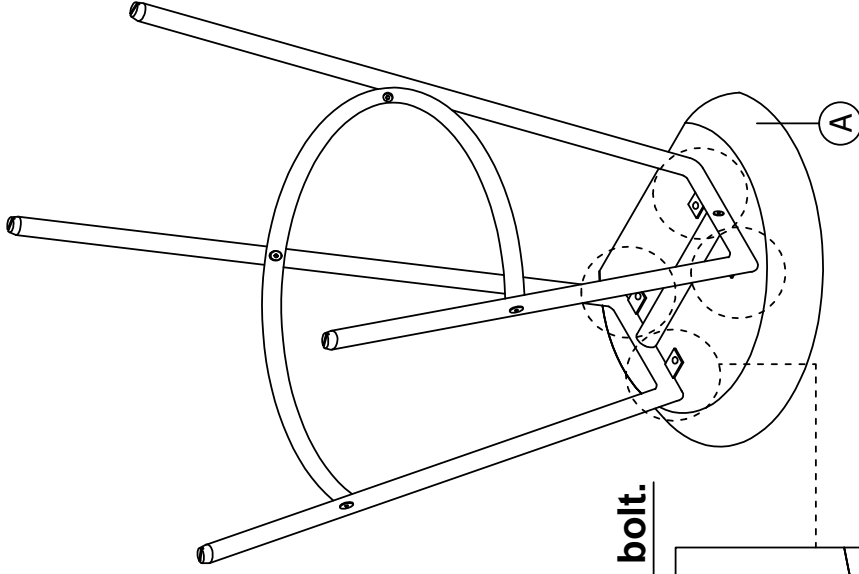


# ASSEMBLY INSTRUCTIONS

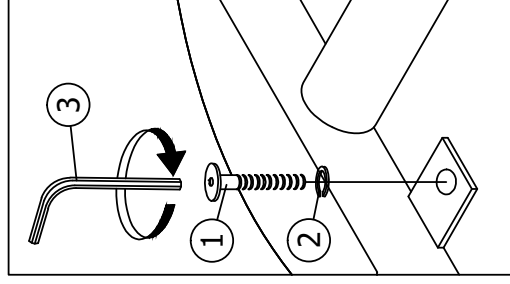
STEP 4



STEP 5



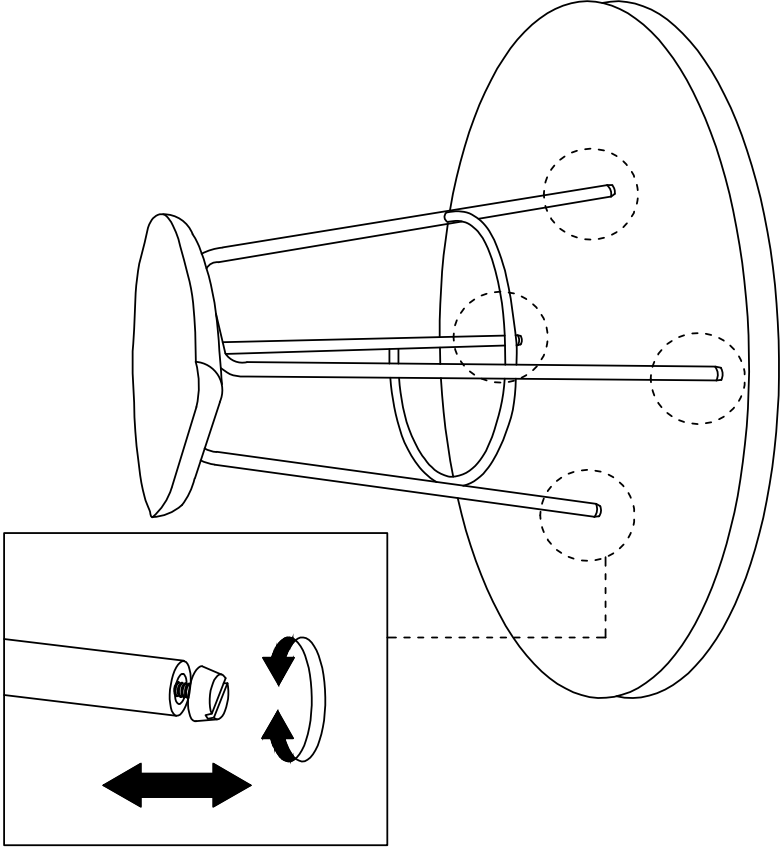
**\*\*Finish step 5,  
Please screw  
tied the step 3 bolt.**



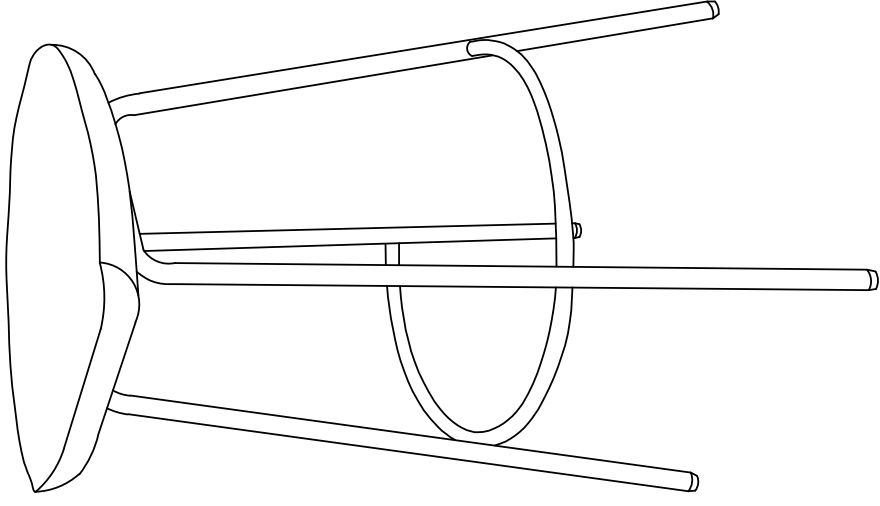
# ASSEMBLY INSTRUCTIONS

## STEP 6

**INSTRUCTIONS FOR ADJUSTING LEVELER :**  
**POSITION THE CHAIR IN YOUR SPACE AND LOCATE THE LEVELER UNDER EACH LEG. TURN THE LEVELER COUNTER-CLOCKWISE TO EXTEND THE LEVELER AND CLOCKWISE TO RETRACT IT. ADJUST EACH LEVELER UNTIL EACH LEG IS APPLYING EQUAL, UPWARD PRESSURE ON THE CHAIR.**



## STEP 7





## ASSEMBLY INSTRUCTIONS



**Register Your Product Today for Warranty**  
<https://luxeousa.com/register/>

**You will benefit from:**

- **Efficient and enhanced support**
- **Future product updates**
- **New product launch**

### **READ AND SAVE THIS INSTRUCTION FOR FUTURE REFERENCE**

- Please read all instructions prior to assembly
- Check that all parts and hardware are included before beginning assembly
- Note that there might be tools needed that are not included for this product
- This package may contain small parts which should be kept away from children
- Save all packing materials until assembly is completed to avoid accidentally discarding small parts or hardware
- Use caution and care when lifting the product to avoid injury and/or damage to product
- For faster and ease of assembly, two adults are recommended

**We love to hear from you. We strive to provide excellent customer service and product. If you are happy with our product, please take a moment to rate us with 5 Stars review with your favorite retailer.**

**Have Assembly Questions? Missing Parts or Hardware?**  
**PLEASE DO NOT RETURN PRODUCT TO RETAILER**  
**Contact LuXeo Customer Service Department:**  
**Tel: 714-729-3808 \* 1-855-68-LUXEO \* 1-855-685-8936**  
**Monday to Friday \* 9AM – 5PM PST**  
**Online @ [www.LuXeoUSA.com](http://www.LuXeoUSA.com)**