

Read this instruction carefully. See hardware and furniture part list for guidance. Be sure all parts are complete, before you assemble. Place all wooden furniture parts on a clean and flat soft surface to prevent from being scratched. Follow the figure to start assembling.

- CAUTIONS :**
1. Do not FULLY - TIGHTEN the nut or nut bolt until all nut or bolt is ready assembled.
 2. Do not OVER - TIGHTEN the nut or bolt to avoid causing damages to the thread.
 3. Keep all hardware parts out of reach of children.

NOTE : THE LIST AND QUANTITY SHOWN ARE FOR 1 UNIT ASSEMBLY.
 Tool needed : Screwdriver (not provided).

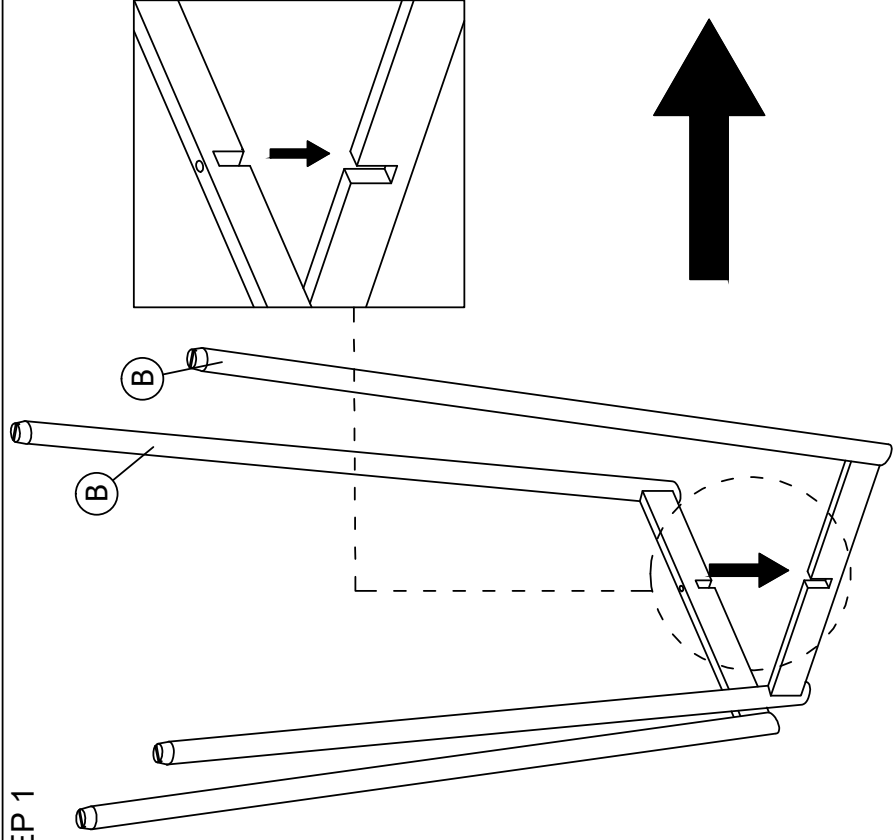
PART LIST		
ITEM	DESCRIPTION	QTY
A	CHAIR	1PC
B	LEG	2 PCS
C	LEG SUPPORT	1 PC
D	METAL PLATE	1 PC
E	JCBC BOLT M6 X 20MM (BLACK)	4 PCS
F	M6 FLAT WASHER (BLACK)	4 PCS
G	M6 SPRING WASHER (BLACK)	4 PCS

HARDWARE LIST		
ITEM	DESCRIPTION	QTY
1	JCBC BOLT M6 x 30mm (BLACK)	5 PCS
2	JCBB BOLT M8 x 20mm (BLACK)	4 PCS
3	M8 FLAT WASHER (BLACK)	4 PCS
4	M8 SPRING WASHER (BLACK)	4 PCS
5	M4 ALLEN KEY (BALL SHAPE)	1 PC
6	M5 ALLEN KEY (BALL SHAPE)	1 PC

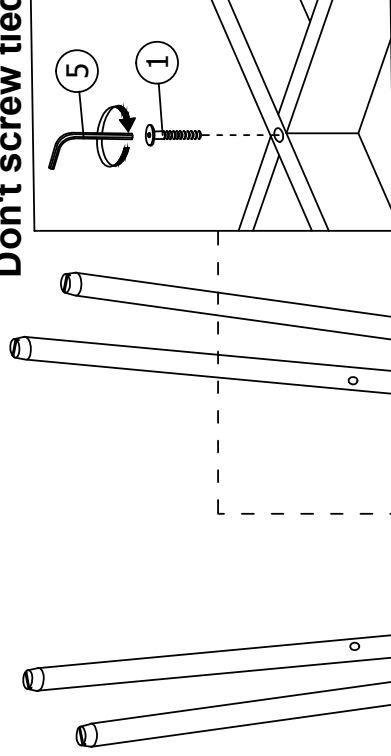


*EXTRA 1PC HARDWARE M6 ADJUSTER FOR SPARE USE.

STEP 1

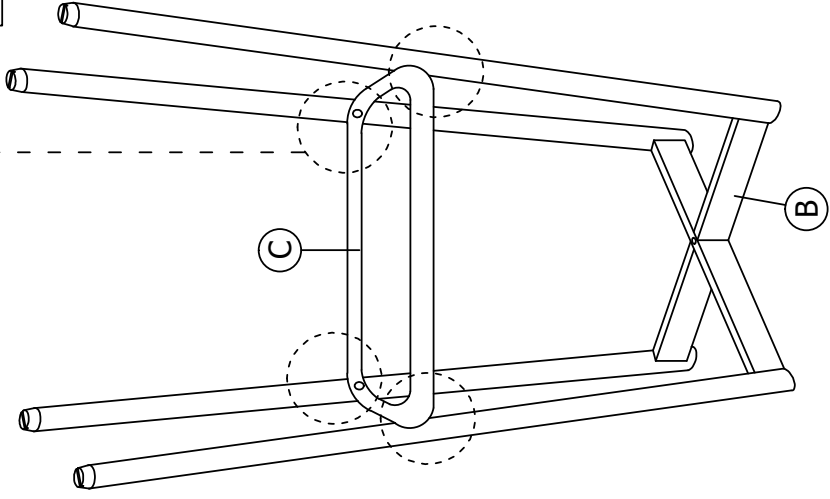
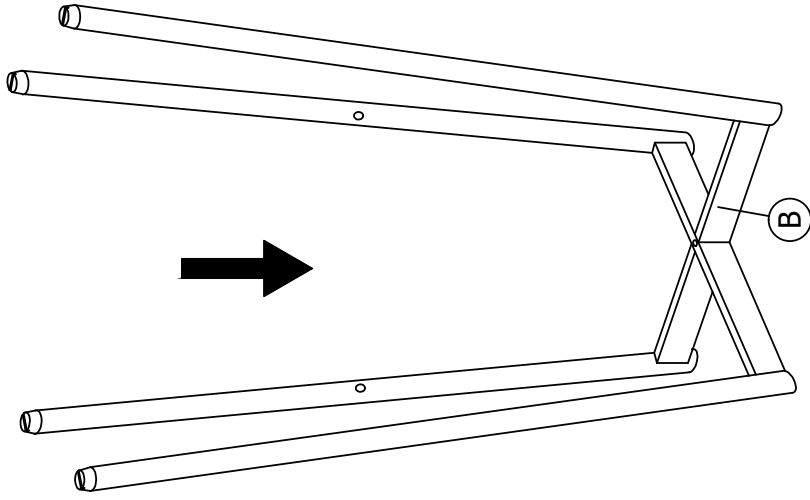
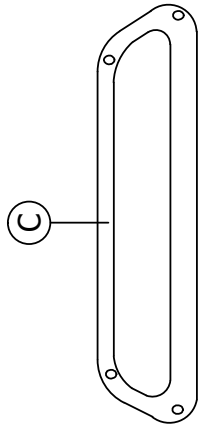


Don't screw tied

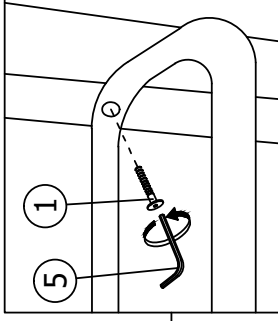


ASSEMBLY INSTRUCTIONS

STEP 2



Don't screw tied

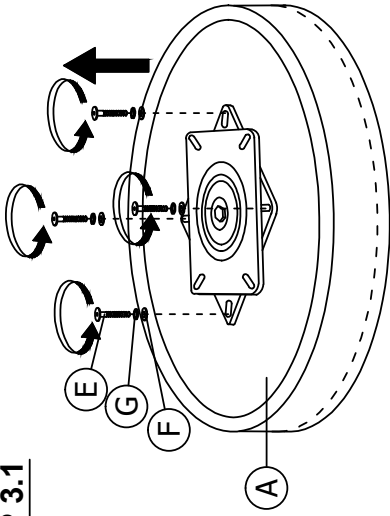


ASSEMBLY INSTRUCTIONS

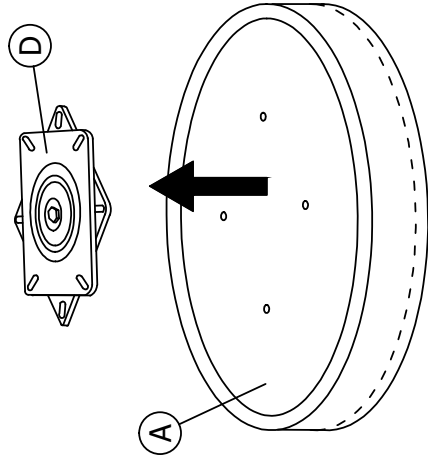
STEP 3

****ITEM (D) DETACH FROM THE ITEM (A)**

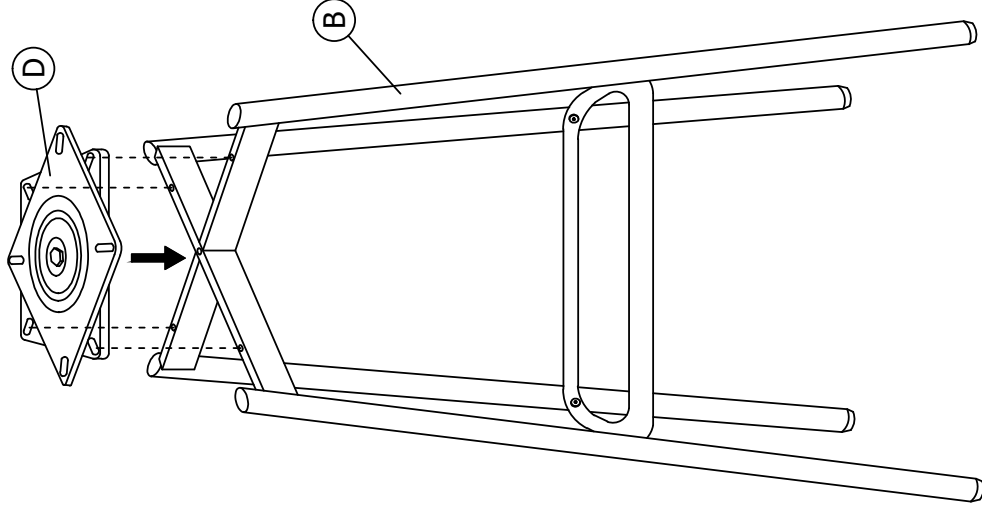
STEP 3.1



STEP 3.2

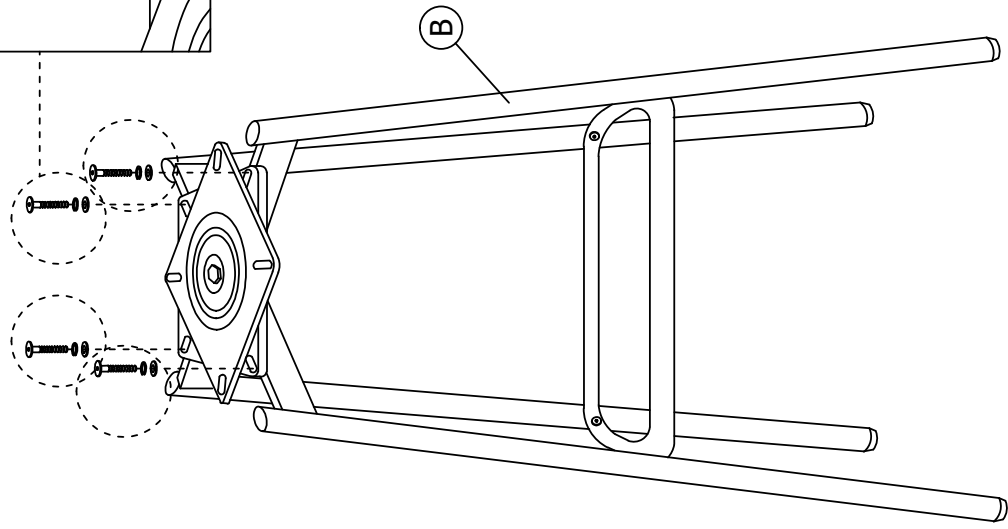
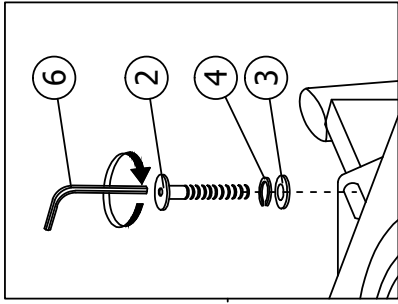


STEP 4

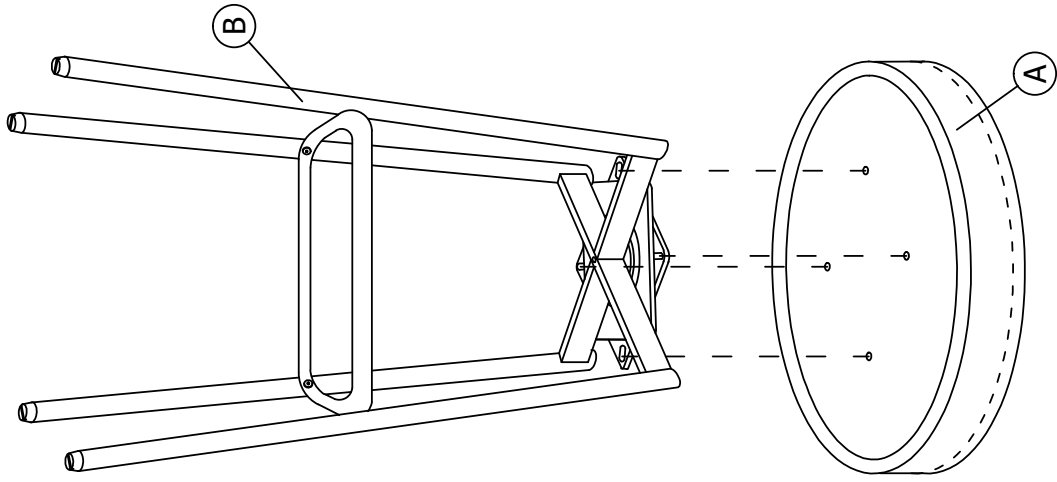


ASSEMBLY INSTRUCTIONS

STEP 5

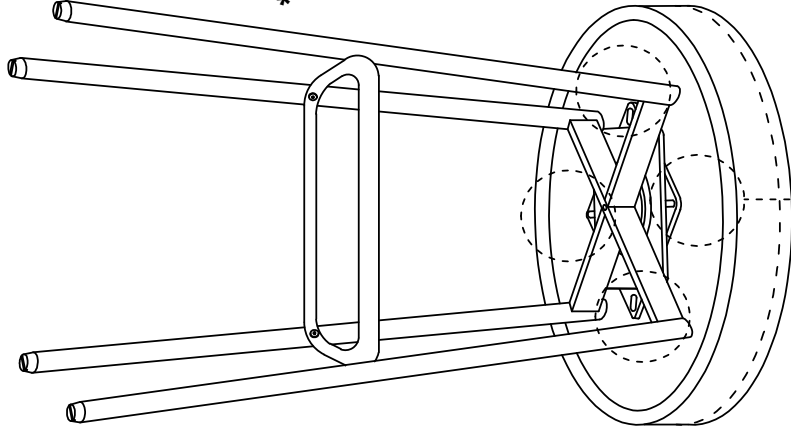


STEP 6

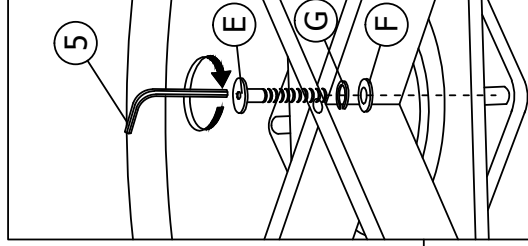


ASSEMBLY INSTRUCTIONS

STEP 7

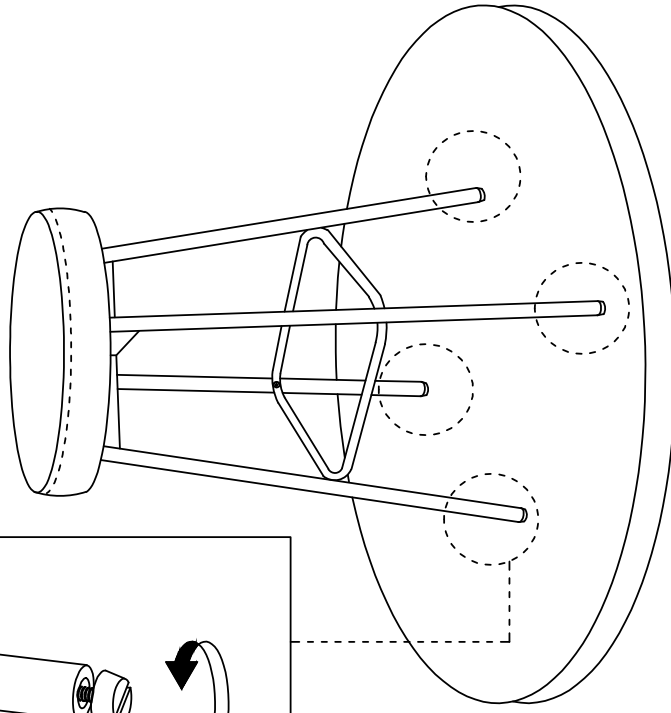
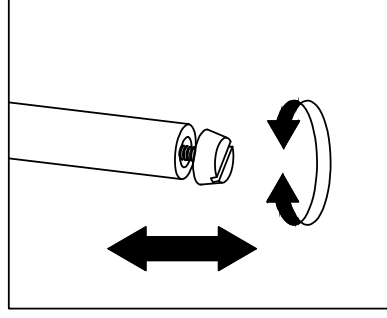


****Finish step 7,
Please screw tied the
step 1 & step 2 bolt.**



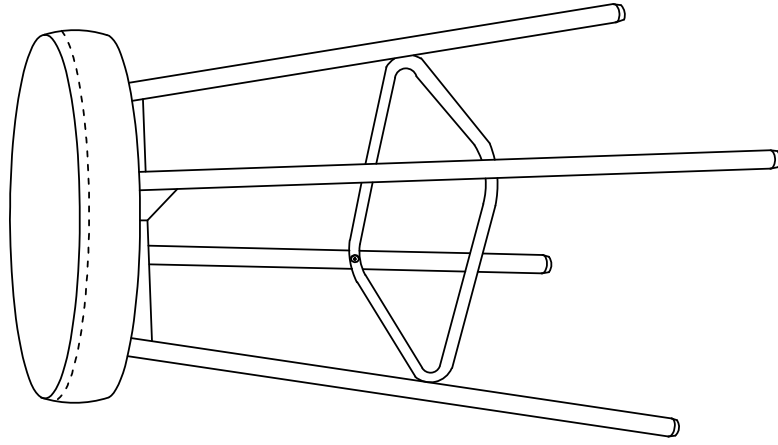
STEP 8

**INSTRUCTIONS FOR ADJUSTING LEVELER :
POSITION THE CHAIR IN YOUR SPACE AND LOCATE THE
LEVELER UNDER EACH LEG. TURN THE
LEVELER COUNTER-CLOCKWISE TO EXTEND THE
LEVELER AND CLOCKWISE TO RETRACT IT.
ADJUST EACH LEVELER UNTIL EACH LEG IS
APPLYING EQUAL, UPWARD PRESSURE ON THE CHAIR.**



ASSEMBLY INSTRUCTIONS

STEP 9





ASSEMBLY INSTRUCTIONS



Register Your Product Today for Warranty
<https://luxeousa.com/register/>

You will benefit from:

- **Efficient and enhanced support**
- **Future product updates**
- **New product launch**

READ AND SAVE THIS INSTRUCTION FOR FUTURE REFERENCE

- Please read all instructions prior to assembly
- Check that all parts and hardware are included before beginning assembly
- Note that there might be tools needed that are not included for this product
- This package may contain small parts which should be kept away from children
- Save all packing materials until assembly is completed to avoid accidentally discarding small parts or hardware
- Use caution and care when lifting the product to avoid injury and/or damage to product
- For faster and ease of assembly, two adults are recommended

We love to hear from you. We strive to provide excellent customer service and product. If you are happy with our product, please take a moment to rate us with 5 Stars review with your favorite retailer.

Have Assembly Questions? Missing Parts or Hardware?
PLEASE DO NOT RETURN PRODUCT TO RETAILER
Contact LuXeo Customer Service Department:
Tel: 714-729-3808 * 1-855-68-LUXEO * 1-855-685-8936
Monday to Friday * 9AM – 5PM PST
Online @ www.LuXeoUSA.com