

Read this instruction carefully. See hardware and furniture part list for guidance. Be sure all parts are complete, before you assemble. Place all wooden furniture parts on a clean and flat soft surface to prevent from being scratched. Follow the figure to start assembling.

- CAUTIONS :**
1. Do not FULLY - TIGHTEN the nut or bolt until all nut or bolt is ready assembled.
  2. Do not OVER - TIGHTEN the nut or bolt to avoid causing damages to the thread.
  3. Keep all hardware parts out of reach of children.

NOTE : THE LIST AND QUANTITY SHOWN ARE FOR 1 UNIT ASSEMBLY.

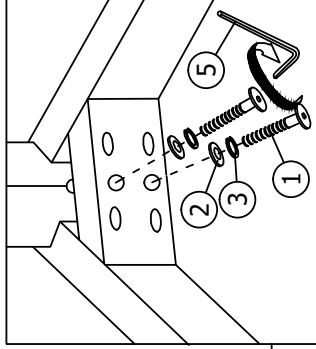
Tool needed : Screwdriver (not provided).

PART LIST		HARDWARE LIST	
ITEM	DESCRIPTION	QTY	DESCRIPTION
A	CHAIR	1 PC	JCBC BOLT M6 x 60mm
B	LEG	4 PCS	M6 FLAT WASHER
C	SIDE RAIL (LONG)	2 PCS	M6 SPRING WASHER
D	SIDE RAIL (SHORT)	2 PCS	WOOD SCREW M4 x 38mm
			M4 ALLEN KEY (BALL SHAPE)

ITEM	DESCRIPTION	QTY
1	JCBC BOLT M6 x 60mm	8 PCS
2	M6 FLAT WASHER	8 PCS
3	M6 SPRING WASHER	8 PCS
4	WOOD SCREW M4 x 38mm	8 PCS
5	M4 ALLEN KEY (BALL SHAPE)	1 PC

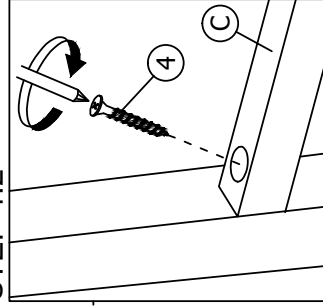
**STEP 1**

**STEP 1.1**



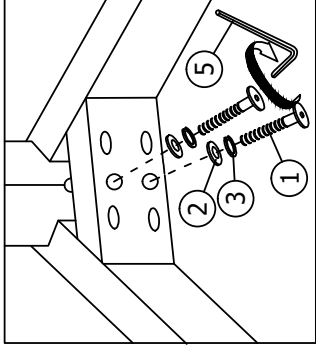
**Don't screw tied**

**STEP 1.2**



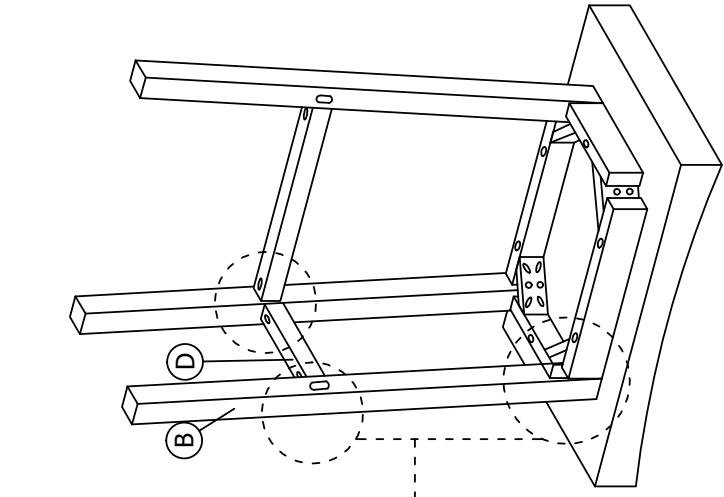
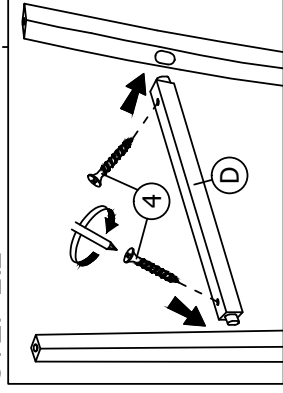
**STEP 2**

**STEP 2.1**



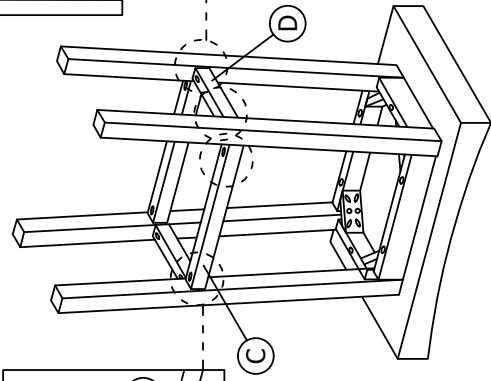
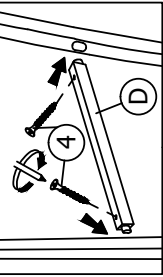
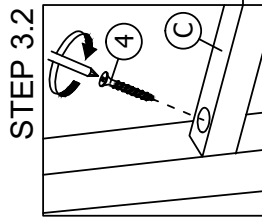
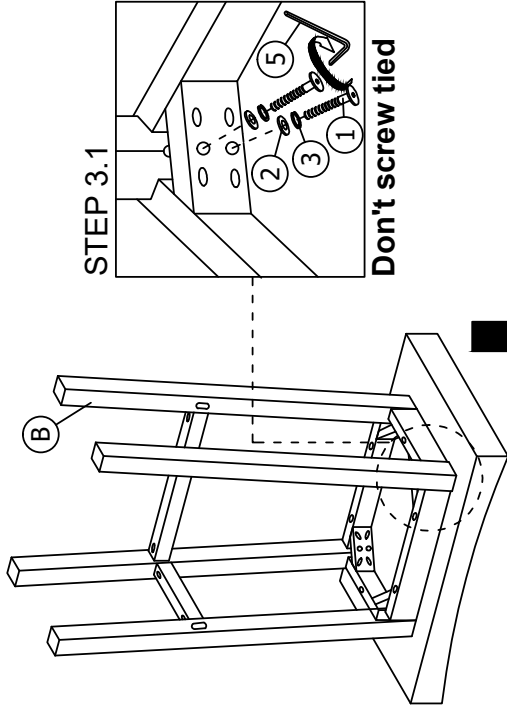
**Don't screw tied**

**STEP 2.2**



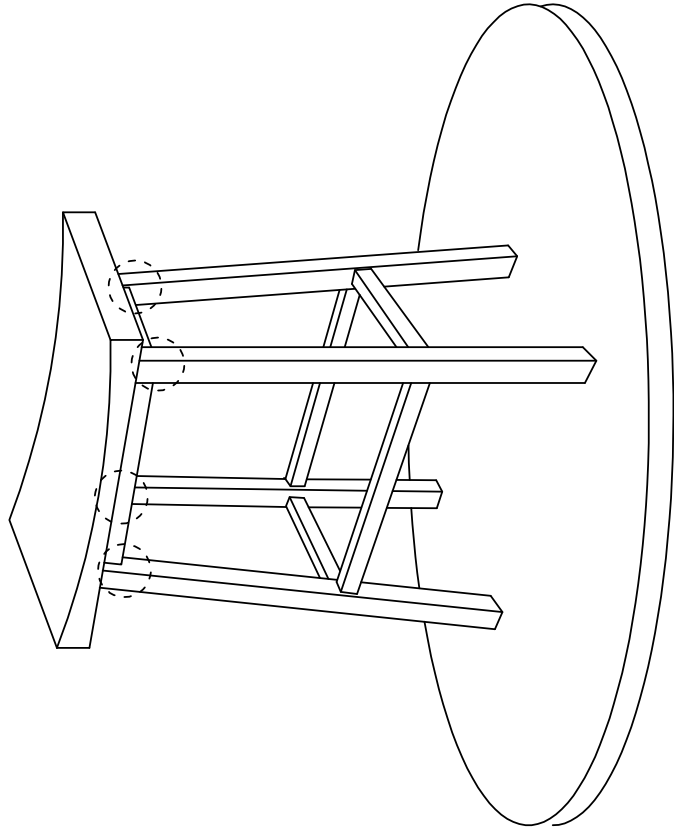
# ASSEMBLY INSTRUCTIONS

STEP 3



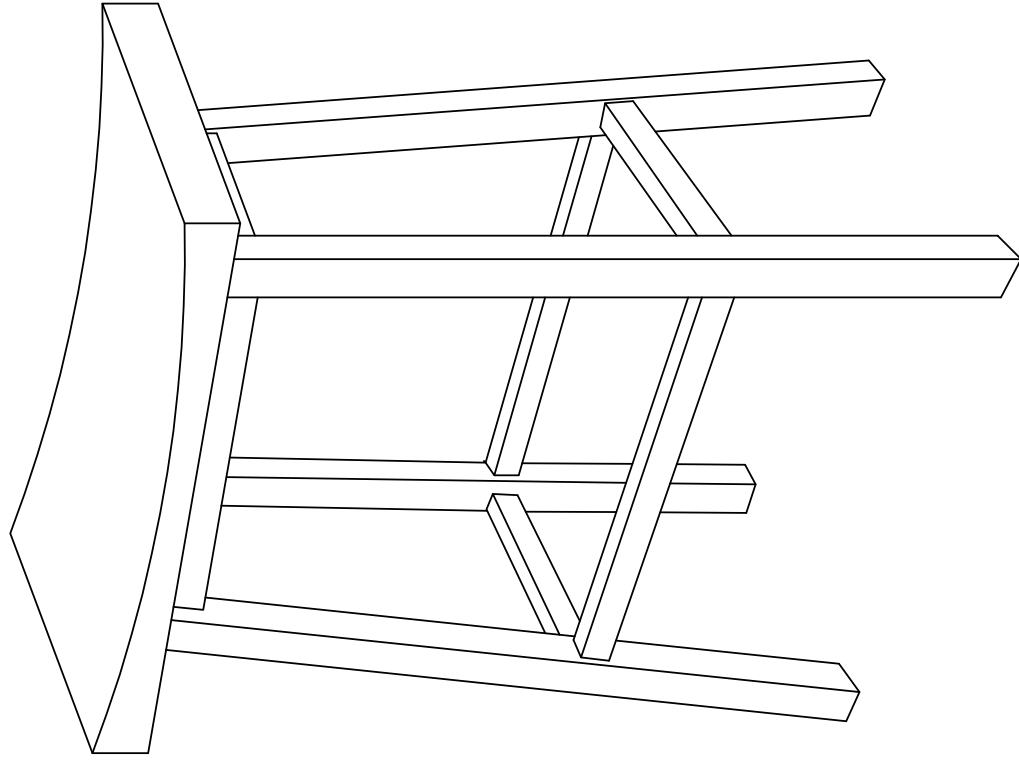
STEP 4

Place the chair on the flat place and adjust the alignment and balance of the legs then, Please screw tied the step 1, 2, 3, 3.1 bolt.



# ASSEMBLY INSTRUCTIONS

STEP 5





## ASSEMBLY INSTRUCTIONS



**Register Your Product Today for Warranty**  
<https://luxeousa.com/register/>

**You will benefit from:**

- **Efficient and enhanced support**
- **Future product updates**
- **New product launch**

### **READ AND SAVE THIS INSTRUCTION FOR FUTURE REFERENCE**

- Please read all instructions prior to assembly
- Check that all parts and hardware are included before beginning assembly
- Note that there might be tools needed that are not included for this product
- This package may contain small parts which should be kept away from children
- Save all packing materials until assembly is completed to avoid accidentally discarding small parts or hardware
- Use caution and care when lifting the product to avoid injury and/or damage to product
- For faster and ease of assembly, two adults are recommended

**We love to hear from you. We strive to provide excellent customer service and product. If you are happy with our product, please take a moment to rate us with 5 Stars review with your favorite retailer.**

**Have Assembly Questions? Missing Parts or Hardware?**  
**PLEASE DO NOT RETURN PRODUCT TO RETAILER**  
**Contact LuXeo Customer Service Department:**  
**Tel: 714-729-3808 \* 1-855-68-LUXEO \* 1-855-685-8936**  
**Monday to Friday \* 9AM – 5PM PST**  
**Online @ [www.LuXeoUSA.com](http://www.LuXeoUSA.com)**