

Actuator without spring return DA02N...



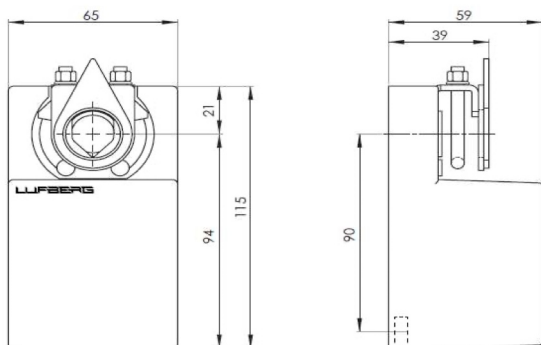
Type overview

Torque	Controls	Damper surface	Voltage	Auxiliary switches	Type
2Nm	2/3-point	< 0,4m ² *	24V AC/DC	-	DA02N24
				1 SPDT**	DA02N24S
	-			DA02N24P	
	1 SPDT**			DA02N24PS	
	2/3-point		230V AC	-	DA02N220
				1 SPDT**	DA02N220S

Technical specification

Type	DA02N24 (S)	DA02N24P (S)	DA02N220 (S)
Torque		2Nm	
Running time - motor	35-45s	45-55s	35-45s
Controls	2/3-point	2-10V DC	2/3-point
Voltage	24V AC/DC	24V AC/DC	230V AC
Frequency		50/60Hz (AC)	
Power consumption			
- in operation	3,0W	3,0W	3,0W
- at rest	0,6W	0,9W	0,7W
- for wire sizing	4,5VA	4,5VA	4,5VA
Angle of rotation		0~90°	
- setting		0°~90° (stepless)	
Direction of rotation		direction of rotation chosen with a switch on the actuator	
Weight		0,6 kg	
Sound power level - motor		<45 dB(A)	
Feedback signal	-	2-10V DC	-
Electrical connection		actuator includes 1m cable(s)	
Auxiliary switches		3 (1.5)A, 230V	
Degree of protection		IP54	
Protection class	III low voltage	III low voltage	II
Ambient humidity		95% RH, without condensation	
Ambient temperature		-30~+50 °C	
Non-operating temperature		-40~+70 °C	
Service life		60 000 full operating cycles	
Mechanical connection			
- round shaft		from ø6 to ø16mm	
- square shaft		from 5x5 to 12x12mm	
Manual override		gears disengaged using a button on the actuator cover	
Norms and standards		Declaration of conformity, ISO, CE, EAC	

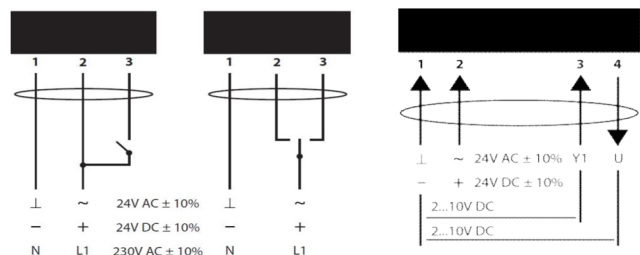
Dimensions (mm)



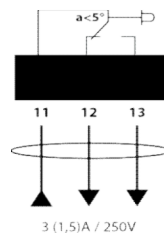
Electric installation

2/3-point

Modulating



Auxiliary switches



* Maximum damper surface is calculated for optimum conditions (without the influence of air flow, pressure difference, etc.).
 ** SPDT (Single-Pole Double-Throw)