

Read this instruction carefully. See hardware and furniture part list for guidance. Be sure all parts are complete, before you assemble. Place all wooden furniture parts on a clean and flat soft surface to prevent from being scratched. Follow the figure to start assembling.

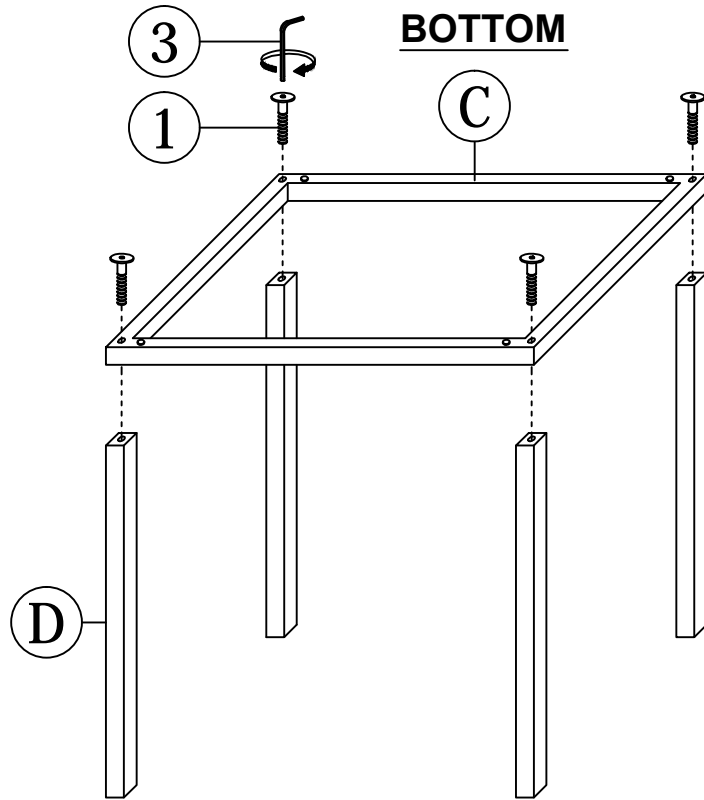
CAUTION : 1. Do not FULLY - TIGHTEN the nuts or nut bolts until they are ready for assembly.
 2. Do not OVER - TIGHTEN the nuts or bolts to avoid causing damages to the thread.
 3. Keep all hardware parts out of reach of children.

NOTE : THE LIST AND QUANTITY SHOWN ARE FOR 1 UNIT ASSEMBLY.
 Tools needed : Screwdriver (not provided).

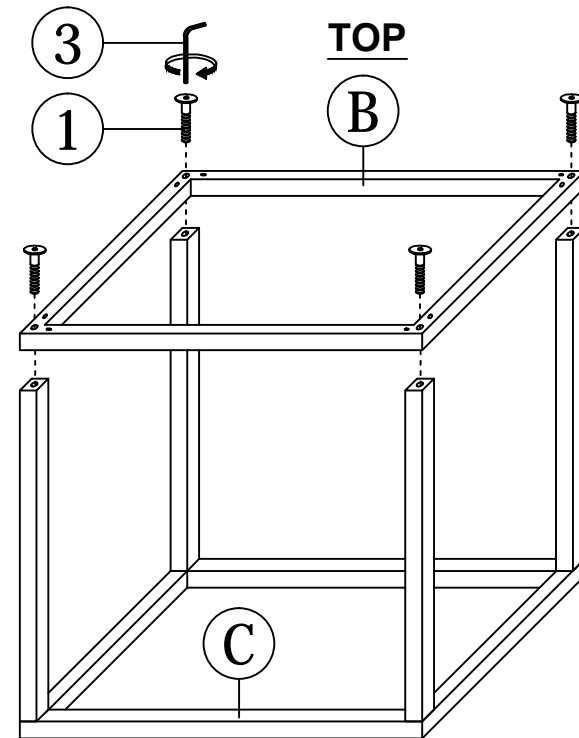
PART LIST		
ITEM	DESCRIPTION	QTY
A	NIGHTSTAND	1 SET
B	LEG FRAME TOP	1 PC
C	LEG FRAME BOTTOM	1 PC
D	LEG FRAME SUPPORT	4 PCS
E	HANDLE	1 PC

HARDWARE LIST		
ITEM	DESCRIPTION	QTY
1	JCBC BOLT M6 x 40mm	8 PCS
2	WOOD SCREW M4 x 32mm	8 PCS
3	M4 ALLEN KEY (BALL SHAPE)	1 PC

STEP 1



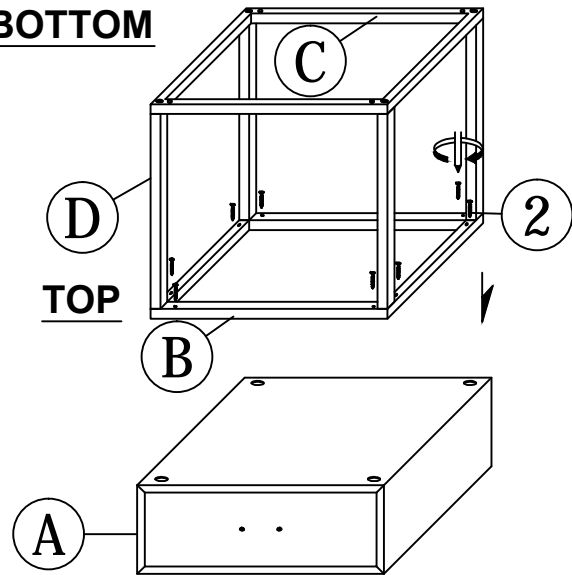
STEP 2



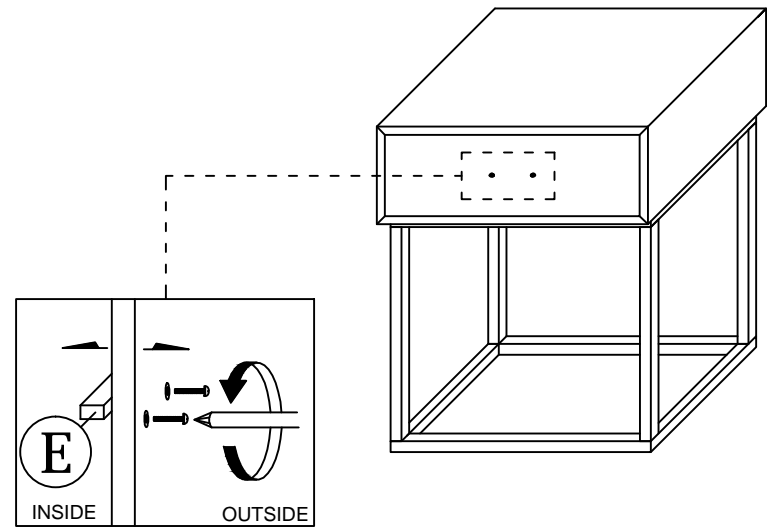
ASSEMBLY INSTRUCTIONS

STEP 3

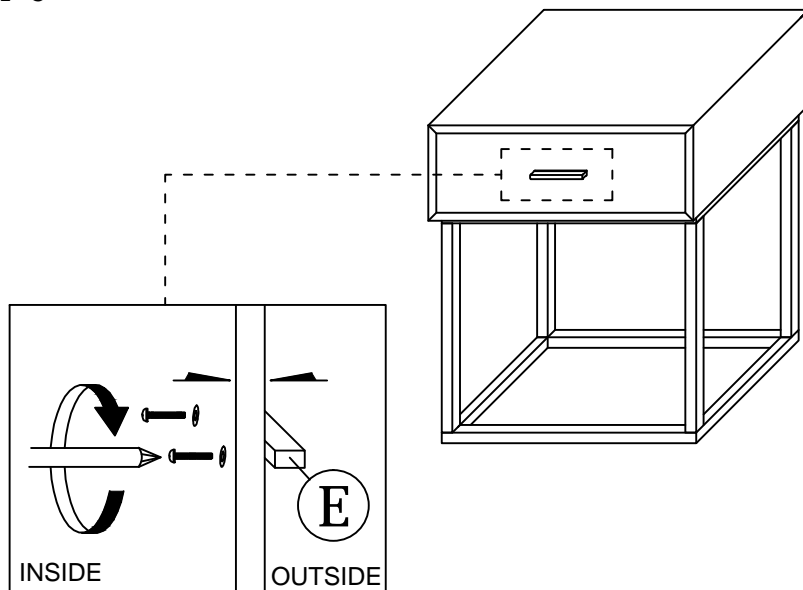
BOTTOM



STEP 4



STEP 5



STEP 6

